

QK-AS2K-B NMEA 2000 Backbone

M12 T-Splitter Connector Anti-Vibration Locking, Plastic Screw.



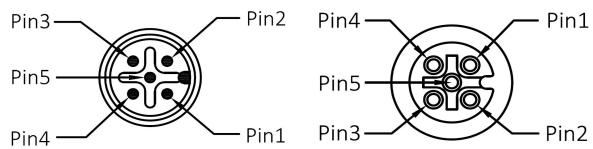
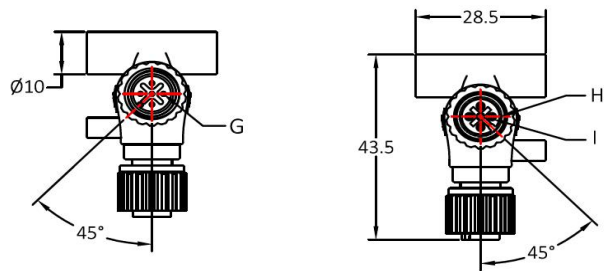
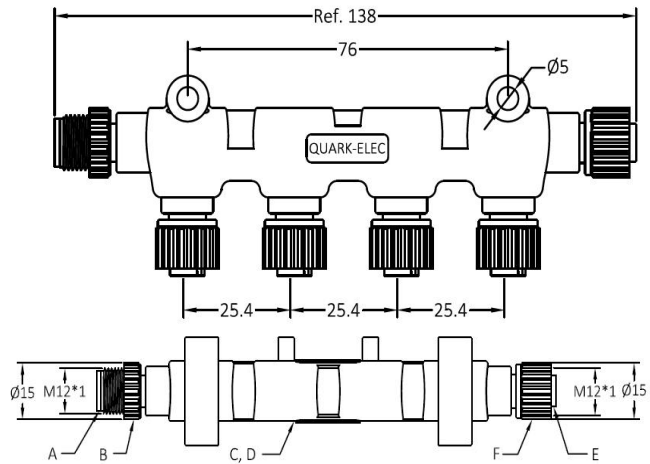
Electrical, Mechanical, Material Data

- Standard: IEC 61076-2-101
- Connector: M12 T-Connector
- Insulation Resistance: $\geq 100M\Omega$
- Contacts Resistance: $\leq 5M\Omega$
- Ambient temperature: $-25^{\circ}C \sim 80^{\circ}C$, $-40^{\circ}C \sim 125^{\circ}C$
- Over-moding: TPU
- Contacts carrier: TPU+GF
- Contacts: Brass/ Phosphor bronze, Gold-plated
- Coupling nut/screw: PA66+GF
- Seal: FKM/ SILICON O-Ring
- EMI Shielding: non-Shielded
- Mechanical lifespan: ≥ 200 mating cycles
- IP rating: IP67/ IP68 in locked condition
- Locking Design : Anti-Vibration

Performance Material

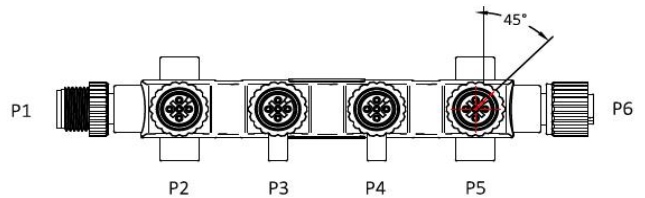
- Resistant to chemicals and oils
- Resistant to microbes and hydrolysis
- Pollution degree: 3 (III)
- RoHS compliance

Contacts No.		5 PIN
	Coding	A-coding
Keyway Coding	Front View (Male)	
	Front View (Female)	
	Current	4A
	Voltage	60V



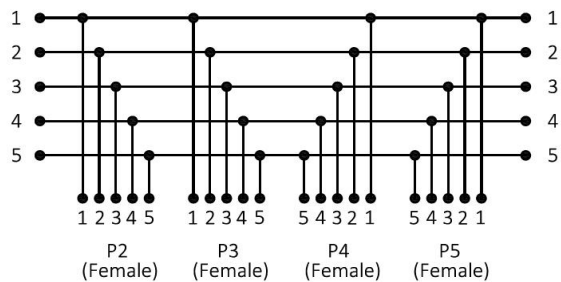
Pin Assignment
Front View
M12 male A-Coding 5PIN

Pin Assignment
Front View
M12 female A-Coding 5PIN



P1 (Male)

P6 (Female)



M12 NMEA 2000, Terminator, Male(Female), 5 pin **QUARK-ELEC**

QK-AS2K-T NMEA 2000 Backbone Terminators (Male/Female)

M12 Terminator Connector, Male(Female), Plastic Screws
Anti-Vibration Locking, with 120Ω Resistor.

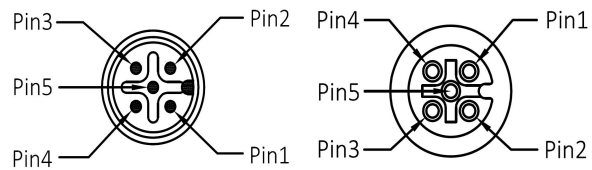
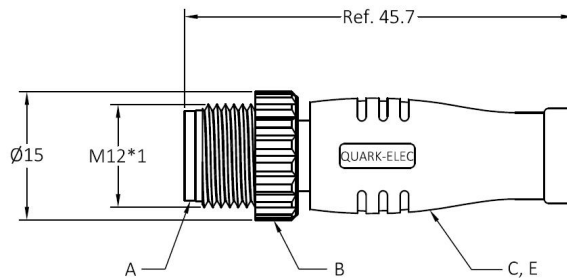
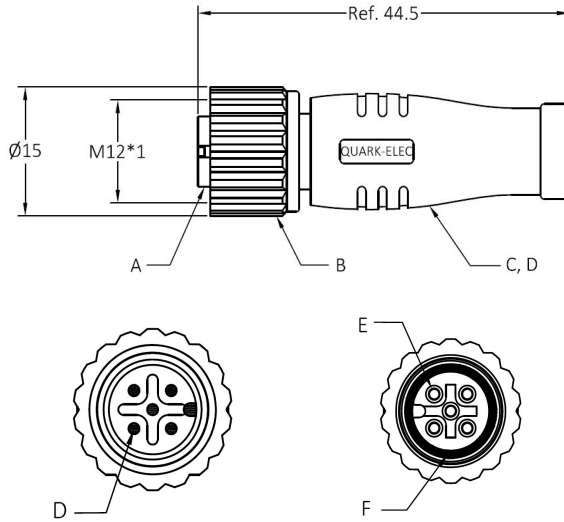


Electrical, Mechanical, Material Data

- Standard: IEC 61076-2-101
- Connector: M12 Terminator
- Insulation Resistance: $\geq 100M\Omega$
- Contacts Resistance: $\leq 5M\Omega$
- Resistor: 120Ω +/- 1%
- Ambient temperature: -25°C ~ 80°C, -40°C ~ 125°C
- Over-moding: TPU
- Contacts carrier: TPU+GF
- Contacts: Brass/ Phosphor bronze, Gold-plated
- Coupling nut/screw: PA66+GF
- Seal: FKM/ SILICON O-Ring
- EMI Shielding: non-Shielded
- Mechanical lifespan: ≥ 200 mating cycles
- IP rating: IP67/ IP68 in locked condition
- Locking Design : Anti-Vibration

Performance Material

- Resistant to chemicals and oils
- Resistant to microbes and hydrolysis
- Pollution degree: 3 (III)
- RoHS compliance

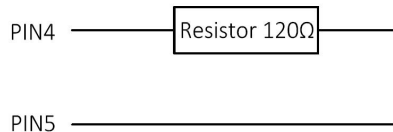


Pin Assignment
Front View
M12 male A-Coding 5PIN

Pin Assignment
Front View
M12 female A-Coding 5PIN

	Contacts No.	5 PIN
	Coding	A-coding
Keyway Coding	Front View (Male)	
	Front View (Female)	
	Current	4A
	Voltage	60V

Wire List



QK-AS2K-P Power-Tap T-Splitter Cable

M12 Power-Tap T-Splitter Cable, Anti-Vibration Locking, Plastic Screw.
Pre-Molded with Cable, Free End.



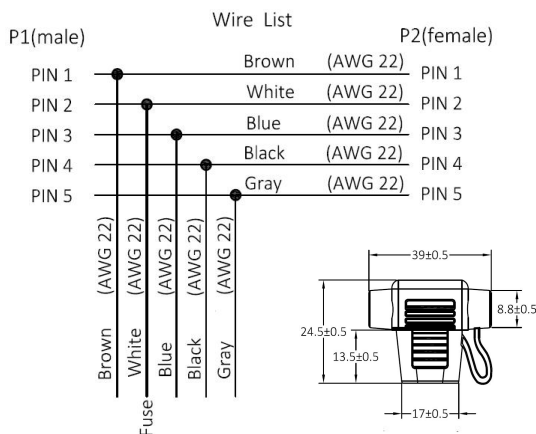
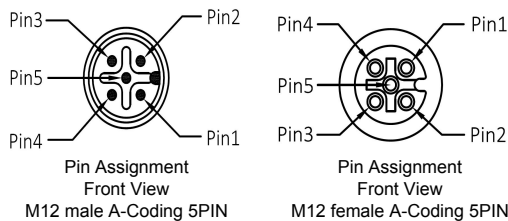
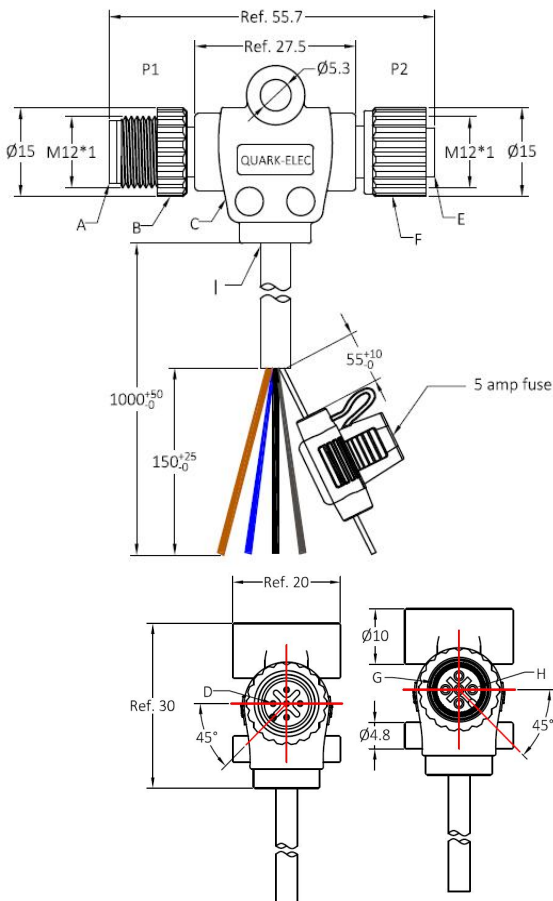
Electrical, Mechanical, Material Data

- Standard: IEC 61076-2-101
- Connector: M12, Power-Tap
- Insulation resistance: $\geq 100\text{M}\Omega$
- Contacts resistance: $\leq 5\text{m}\Omega$
- Ambient temperature: $-25^\circ\text{C} \sim 80^\circ\text{C}$, $-40^\circ\text{C} \sim 125^\circ\text{C}$
- Wire termination: Soldering
- Over-molding: TPU
- Contacts carrier: TPU+GF
- Contacts: Brass/ Phosphor bronze, Gold-plated
- Coupling nut/screw: PA66+GF
- Seal: FKM/ SILICON O-Ring
- Cable jacket material: PUR/PVC/LSZH as option
- Core insulation: PVC/SR-PVC/PE/PP as option
- Bending radius: Flexible use $\geq 10 \times \varnothing$
- EMI Shielding: non-Shielded
- Mechanical lifespan: ≥ 200 mating cycles
- IP rating: IP67/ IP68 in locked condition
- Locking Design : Anti-Vibration

Performance Material

- Resistant to chemicals and oils
- Resistant to microbes and hydrolysis
- Pollution degree: 3 (III)
- RoHS compliance

Contacts No.		5 PIN
Keyway Coding	Coding	A-coding
	Front View (Male)	
	Front View (Female)	
Current	4A	
Voltage	60V	
Reference Cabling	Wire Gauge	22AWG
	Cross Section	0.34mm ²
	Wiring List	1. Brown 2. White 3. Blue 4. Black 5. Grey
	Wire Color	



QK-AS2K-C Standard Connector Cable (1m)

M12 A-Connector, PVC Cable, Male(Female), Metal Screw.



Male



Female

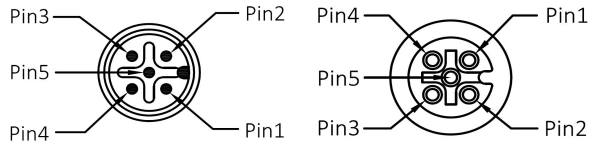
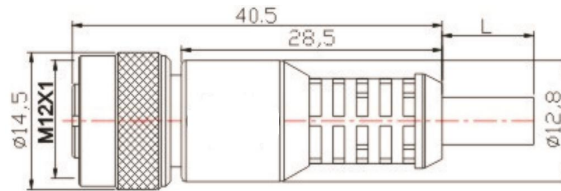
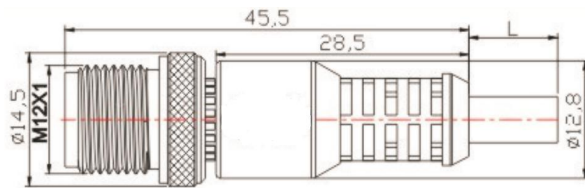


Electrical, Mechanical, Material Data

- Standard: IEC 61076-2-101
- Connector: M12 A-Connector
- Insulation Resistance: $\geq 100M\Omega$
- Contacts Resistance: $\leq 5M\Omega$
- Ambient temperature: $-25^{\circ}C \sim 80^{\circ}C$, $-40^{\circ}C \sim 125^{\circ}C$
- Over-moding: TPU
- Contacts carrier: TPU+GF
- Contacts: Brass/ Phosphor bronze, Gold-plated
- Coupling nut/screw: PA66+GF
- Seal: FKM/ SILICON O-Ring
- EMI Shielding: non-Shielded
- Mechanical lifespan: ≥ 200 mating cycles
- IP rating: IP67/ IP68 in locked condition
- Locking Design : Anti-Vibration

Performance Material

- Resistant to chemicals and oils
- Resistant to microbes and hydrolysis
- Pollution degree: 3 (III)
- RoHS compliance



Pin Assignment
Front View

M12 male A-Coding 5PIN

Pin Assignment
Front View

M12 female A-Coding 5PIN

Contacts No.		5 PIN
	Coding	A-coding
Keyway Coding	Front View (Male)	
	Front View (Female)	
Current		4A
Voltage		60V